

THE IHS TRANSFORMATIONS BASED IMAGE FUSION

Mrs. Firouz Abdullah Al-Wassai*¹, Dr. N.V. Kalyankar², Dr. Ali A. Al-Zuky³

*¹ Research Student, Computer Science Dept., Yeshwant College, (SRTMU), Nanded, India
fairozwaseai@yahoo.com¹

² Principal, Yeshwant Mahavidyala College, Nanded, India
drkalyankarnv@rediffmail.com²

³ Assistant Professor, Dept. of Physics, College of Science, Mustansiriyah Un., Baghdad – Iraq.
dr.alialzuky@yahoo.com³

Abstract: The IHS sharpening technique is one of the most commonly used techniques for sharpening. Different transformations have been developed to transfer a color image from the RGB space to the IHS space. Through literature, it appears that, various scientists proposed alternative IHS transformations and many papers have reported good results whereas others show bad ones as well as not those obtained which the formula of IHS transformation were used. In addition to that, many papers show different formulas of transformation matrix such as IHS transformation. This leads to confusion what is the exact formula of the IHS transformation?. Therefore, the main purpose of this work is to explore different IHS transformation techniques and experiment it as IHS based image fusion. The image fusion performance was evaluated, in this study, using various methods to estimate the quality and degree of information improvement of a fused image quantitatively.

Keywords: Image Fusion, Color Models, IHS, HSV, HSL, YIQ, transformations

INTRODUCTION

Remote sensing offers a wide variety of image data with different characteristics in terms of temporal, spatial, radiometric and Spectral resolutions. For optical sensor systems, imaging systems somehow offer a tradeoff between high spatial and high spectral resolution, and no single system offers both. Hence, in the remote sensing community, an image with 'greater quality' often means higher spatial or higher spectral resolution, which can only be obtained by more advanced sensors [1]. It is, therefore, necessary and very useful to be able to merge images with higher spectral information and higher spatial information [2].

Image fusion techniques can be classified into three categories depending on the stage at which fusion takes place; it is often divided into three levels, namely: pixel level, feature level and decision level of representation [3; 4]. The pixel image fusion techniques can be grouped into several techniques depending on the tools or the processing methods for image fusion procedure. By [5; 6] it is grouped into three classes: Color related techniques, statistical, arithmetic/numerical, and combined approaches.

The acronym IHS is sometimes permuted to HSI in the literature. IHS fusion methods are selected for comparison because they are the most widely used in commercial image processing systems. However, lots of papers reporting results of IHS sharpening technique and not those in which the formula of IHS transformation were used [7-19]. Many other papers describe different formula of IHS transformations, which have some important differences in the values of the matrix, are used such as IHS transformation [20-27].

The objectives of this study are to explain the different IHS transformations sharpening algorithms and experiment it as based image fusion techniques for remote sensing applications to fuse multispectral (MS) and Panchromatic (PAN) images.

To remove that confusion, i. e IHS technique, this paper presents the most different formula of transformation matrix IHS it appears as well as effectiveness based image fusion and the performance of these methods. These are based on a comprehensive study that evaluates various PAN sharpening based on IHS techniques and programming in VB6 to achieve the fusion algorithm.

IHS FUSION TECHNIQUE

The IHS technique is one of the most commonly used fusion techniques for sharpening. It has become a standard procedure in image analysis for color enhancement, feature enhancement, improvement of spatial resolution and the fusion of disparate data sets [29]. In the IHS space, spectral information is mostly reflected on the hue and the saturation. From the visual system, one can conclude that the intensity change has little effect on the spectral information and is easy to deal with. For the fusion of the high-resolution and multispectral remote sensing images, the goal is ensuring the spectral information and adding the detail information of high spatial resolution, therefore, the

fusion is even more adequate for treatment in IHS space [26]. Literature proposes many IHS transformation algorithms have been developed for converting the RGB values. Some are also named HSV (hue, saturation, value) or HLS (hue, luminance, saturation). (Fig.1) illustrates the geometric interpretation. While the complexity of the

models varies, they produce similar values for hue and saturation. However, the algorithms differ in the method used in calculating the intensity component of the transformation. The most common intensity definitions are [30]:

$$V = \text{Max}\{R, G, B\} \quad I = \frac{R+G+B}{3}$$

$$L = \frac{\text{max}(R,G,B) + \text{min}(R,G,B)}{2} \quad (1)$$

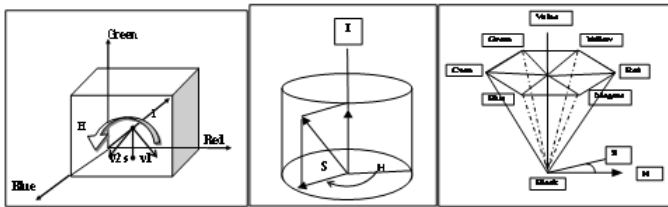
The first system (based on V), also known as the Smith's hexcone and the second system (based on L), known as Smith's

triangle model [31]. The hexcone transformation of IHS is referred to as HSV model which drives its name from the parameters, hue, saturation, and value, the term “value” instead of “intensity” in this system.

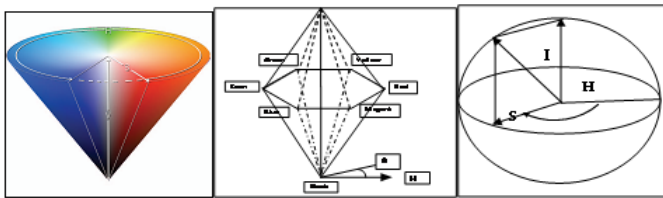
Most literature recognizes IHS as a third-order method because it employs a 3x3 matrix as its transform kernel in the RGB IHS conversion model [32]. Many published studies show that various IHS transformations, which have some important differences in the values of the matrix, are used, which that description below. Here, this study denoted IHS1, IHS2, IHS3 ...etc refer to the formula that used and R = Red, G = Green, B = Blue I = Intensity, H = Hue, S = Saturation, $v_1 v_2$ = Cartesian components of hue and saturation.

A. HSV

The first IHS1 corresponding matrix expression of HSV is as follows [33]:



(a) (b) (c)



(d) (e) (f)

$$\begin{bmatrix} I \\ v_1 \\ v_2 \end{bmatrix} = \begin{bmatrix} 0.577 & 0.577 & 0.577 \\ -0.408 & -0.408 & 0.816 \\ -0.707 & 0.707 & 1.703 \end{bmatrix} \begin{bmatrix} R \\ G \\ B \end{bmatrix}$$

$$H = \tan^{-1} \left(\frac{v_2}{v_1} \right), S = \sqrt{v_1^2 + v_2^2} \quad (2)$$

The gray value Pan image of a pixel is used as the value in the related color image, i.e. in the above equation (2) $V=I$ [33]:

$$\begin{bmatrix} R \\ G \\ B \end{bmatrix} = \begin{bmatrix} 0.577 & -0.408 & -0.707 \\ 0.577 & -0.408 & 0.816 \\ 0.577 & 0.816 & 0 \end{bmatrix} \begin{bmatrix} I \\ v_1 \\ v_2 \end{bmatrix} \quad (3)$$

B. IHS1:

One common IHS transformation is based on a cylinder color model, which is proposed by [34] and implemented in PCI Geomatica. The IHS coordinate system can be represented as a cylinder. The cylindrical transformation color model has the following equations:

$$\begin{bmatrix} I \\ v_1 \\ v_2 \end{bmatrix} = \begin{bmatrix} \frac{1}{\sqrt{3}} & \frac{1}{\sqrt{3}} & \frac{1}{\sqrt{3}} \\ -\frac{1}{\sqrt{6}} & -\frac{1}{\sqrt{6}} & \frac{2}{\sqrt{6}} \\ -\frac{1}{\sqrt{2}} & \frac{1}{\sqrt{2}} & 0 \end{bmatrix} \begin{bmatrix} R \\ G \\ B \end{bmatrix} \quad H = \tan^{-1} \left(\frac{v_2}{v_1} \right) \&$$

$$S = \sqrt{v_1^2 + v_2^2} \quad (4)$$

Where v_1 and v_2 are two intermediate values. In the algorithm there is a processing of special cases and a final scaling of the intensity, hue and saturation values between 0

and 255. The corresponding inverse transformation is defined as:

$$v_1 = S \cos(H) \& v_2 = S \sin(H) \quad (5)$$

$$\begin{bmatrix} R' \\ G' \\ B' \end{bmatrix} = \begin{bmatrix} \frac{1}{\sqrt{3}} & -\frac{1}{\sqrt{6}} & -\frac{1}{\sqrt{2}} \\ \frac{1}{\sqrt{3}} & -\frac{1}{\sqrt{6}} & \frac{1}{\sqrt{2}} \\ \frac{1}{\sqrt{3}} & \frac{2}{\sqrt{6}} & 0 \end{bmatrix} \begin{bmatrix} I \\ v_1 \\ v_2 \end{bmatrix} \quad (6)$$

C. IHS2:

Other color spaces that have simple computational transformations such as IHS coordinates within the RGB cube. The transformation is [35]:

$$\begin{bmatrix} I \\ v_1 \\ v_2 \end{bmatrix} = \begin{bmatrix} \frac{1}{3} & \frac{1}{3} & \frac{1}{3} \\ -\frac{1}{\sqrt{6}} & -\frac{1}{\sqrt{6}} & \frac{2}{\sqrt{6}} \\ \frac{1}{\sqrt{6}} & -\frac{2}{\sqrt{6}} & 0 \end{bmatrix} \begin{bmatrix} R \\ G \\ B \end{bmatrix}$$

$$H = \tan^{-1} \left(\frac{v_2}{v_1} \right) \text{ in the rang 0 to 360} \&$$

$$S = \sqrt{v_1^2 + v_2^2} \quad (7)$$

The corresponding inverse transformation this is given by [35]:

$$\begin{bmatrix} R' \\ G' \\ B' \end{bmatrix} = \begin{bmatrix} 1 & -0.204124 & 0.612372 \\ 1 & -0.204124 & -0.612372 \\ 1 & 0.408248 & 0 \end{bmatrix} \begin{bmatrix} I \\ v_1 \\ v_2 \end{bmatrix}$$

$$v_1 = S \cos(2\pi H) \& v_2 = S \sin(2\pi H) \quad (8)$$

D. IHS3:

[24] is one of these studies. The transformation model for IHS transformation is the one below:

$$\begin{bmatrix} I \\ v_1 \\ v_2 \end{bmatrix} = \begin{bmatrix} \frac{1}{3} & \frac{1}{3} & \frac{1}{3} \\ -\frac{1}{\sqrt{6}} & -\frac{1}{\sqrt{6}} & \frac{2}{\sqrt{6}} \\ \frac{1}{\sqrt{6}} & -\frac{1}{\sqrt{6}} & 0 \end{bmatrix} \begin{bmatrix} R \\ G \\ B \end{bmatrix} \quad H = \tan^{-1} \left(\frac{v_2}{v_1} \right) \&$$

$$S = \sqrt{v_1^2 + v_2^2} \quad (9)$$

$$\begin{bmatrix} R' \\ G' \\ B' \end{bmatrix} = \begin{bmatrix} 1 & -\frac{1}{\sqrt{6}} & \frac{3}{\sqrt{6}} \\ 1 & -\frac{1}{\sqrt{6}} & -\frac{3}{\sqrt{6}} \\ 1 & \frac{2}{\sqrt{6}} & 0 \end{bmatrix} \begin{bmatrix} I \\ v_1 \\ v_2 \end{bmatrix} \quad (10)$$

E. IHS4:

[29] propose an IHS transformation taken from Harrison and Jupp (1990).

$$\begin{bmatrix} I \\ v_1 \\ v_2 \end{bmatrix} = \begin{bmatrix} \frac{1}{3} & \frac{1}{3} & \frac{1}{3} \\ \frac{1}{\sqrt{6}} & \frac{1}{\sqrt{6}} & -\frac{2}{\sqrt{6}} \\ \frac{1}{\sqrt{2}} & -\frac{1}{\sqrt{2}} & 0 \end{bmatrix} \begin{bmatrix} R \\ G \\ B \end{bmatrix} \quad H = \tan^{-1} \left(\frac{v_1}{v_2} \right)$$

$$\& S = \sqrt{v_1^2 + v_2^2} \quad (11)$$

The corresponding inverse transformation is defined as:

$$\begin{bmatrix} R' \\ G' \\ B' \end{bmatrix} = \begin{bmatrix} \frac{1}{\sqrt{3}} & \frac{1}{\sqrt{6}} & \frac{1}{\sqrt{2}} \\ \frac{1}{\sqrt{3}} & \frac{1}{\sqrt{6}} & -\frac{1}{\sqrt{2}} \\ \frac{1}{\sqrt{3}} & -\frac{2}{\sqrt{6}} & 0 \end{bmatrix} \begin{bmatrix} I \\ v_1 \\ v_2 \end{bmatrix} \quad (12)$$

F. IHS5:

[22] Proposes an IHS transformation taken from Carper et al. 1990. The transformation is:

$$\begin{bmatrix} I \\ v_1 \\ v_2 \end{bmatrix} = \begin{bmatrix} \frac{1}{3} & \frac{1}{3} & \frac{1}{3} \\ \frac{1}{\sqrt{6}} & \frac{1}{\sqrt{6}} & -\frac{2}{\sqrt{6}} \\ \frac{1}{\sqrt{2}} & -\frac{1}{\sqrt{2}} & 0 \end{bmatrix} \begin{bmatrix} R \\ G \\ B \end{bmatrix} \quad H = \tan^{-1} \left(\frac{v_2}{v_1} \right) \quad \&$$

$$S = \sqrt{v_1^2 + v_2^2} \quad (13)$$

$$\begin{bmatrix} R' \\ G' \\ B' \end{bmatrix} = \begin{bmatrix} 1 & \frac{1}{\sqrt{6}} & \frac{1}{\sqrt{2}} \\ 1 & \frac{1}{\sqrt{6}} & -\frac{1}{\sqrt{2}} \\ 1 & -\frac{2}{\sqrt{6}} & 0 \end{bmatrix} \begin{bmatrix} I \\ v_1 \\ v_2 \end{bmatrix} \quad (14)$$

G. IHS6:

[28] Used the linear transformation model for IHS transformation is the one below as well as the IHS transformation taken from Carper et.al. 1990, but different matrix compared to [22]. [28] Published an article on IHS-like image fusion methods. The transformation is:

$$\begin{bmatrix} I_v \\ v_1 \\ v_2 \end{bmatrix} = \begin{bmatrix} \frac{1}{3} & \frac{1}{3} & \frac{1}{3} \\ \frac{\sqrt{2}}{6} & \frac{\sqrt{2}}{6} & \frac{\sqrt{2}}{6} \\ \frac{1}{\sqrt{2}} & -\frac{1}{\sqrt{2}} & 0 \end{bmatrix} \begin{bmatrix} R \\ G \\ B \end{bmatrix} \quad H = \tan^{-1} \left(\frac{v_2}{v_1} \right) \quad \&$$

$$S = \sqrt{v_1^2 + v_2^2} \quad (15)$$

$$\begin{bmatrix} R' \\ G' \\ B' \end{bmatrix} = \begin{bmatrix} 1 & -\frac{1}{\sqrt{2}} & \frac{1}{\sqrt{2}} \\ 1 & -\frac{1}{\sqrt{2}} & -\frac{1}{\sqrt{2}} \\ 1 & \sqrt{2} & 0 \end{bmatrix} \begin{bmatrix} I_p \\ v_1 \\ v_2 \end{bmatrix} \quad (16)$$

They modified the matrix by using parameters. The following formula modified result:

$$\begin{bmatrix} R' \\ G' \\ B' \end{bmatrix} = \begin{bmatrix} 1 & -\frac{1}{\sqrt{2}} & \frac{1}{\sqrt{2}} \\ 1 & -\frac{1}{\sqrt{2}} & -\frac{1}{\sqrt{2}} \\ 1 & \sqrt{2} & 0 \end{bmatrix} \begin{bmatrix} \alpha I_p + \beta I_{MS_k} \\ v_1 \\ v_2 \end{bmatrix} \quad (17)$$

Where α, β are the fused parameters, which $0 \leq \alpha, \beta \leq 1$ and I_p, I_{MS_k} ; the intensity is of each P and MS_k image respectively.

H. HLS:

[26] propose that HLS transformation is alternative to IHS. The transformation from RGB to LHS color space is the same propose [22]. But the transformation back to RGB space gives different results the transformation is:

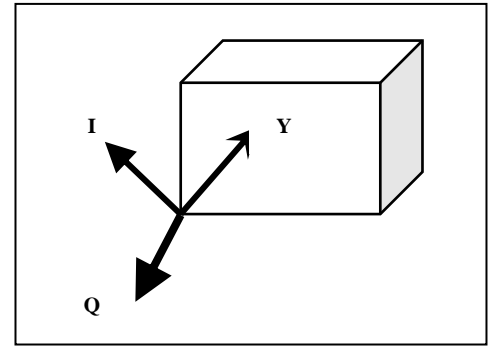


Fig.2: Geometric Relations in RGB - YIQ Model

$$\begin{bmatrix} I \\ v_1 \\ v_2 \end{bmatrix} = \begin{bmatrix} \frac{1}{3} & \frac{1}{3} & \frac{1}{3} \\ \frac{1}{\sqrt{6}} & \frac{1}{\sqrt{6}} & -\frac{2}{\sqrt{6}} \\ \frac{1}{\sqrt{2}} & -\frac{1}{\sqrt{2}} & 0 \end{bmatrix} \begin{bmatrix} R \\ G \\ B \end{bmatrix} \quad H = \tan^{-1} \left(\frac{v_2}{v_1} \right) \quad \&$$

$$S = \sqrt{v_1^2 + v_2^2} \quad (18)$$

$$\begin{bmatrix} R' \\ G' \\ B' \end{bmatrix} = \begin{bmatrix} 1 & \frac{1}{\sqrt{6}} & \frac{1}{\sqrt{2}} \\ 1 & \frac{1}{\sqrt{6}} & -\frac{1}{\sqrt{2}} \\ 1 & -\frac{2}{\sqrt{6}} & 0 \end{bmatrix} \begin{bmatrix} I \\ v_1 \\ v_2 \end{bmatrix} \quad (19)$$

I. IHS7:

[36] Published an article on modified IHS-like image fusion methods. He uses the basic equations of the cylindrical model to convert from RGB space to IHS space and back into RGB space are below as well as Modified it for more information refer to [36]. The transformation is:

$$\begin{bmatrix} I \\ v_1 \\ v_2 \end{bmatrix} = \begin{bmatrix} \frac{1}{3} & \frac{1}{3} & \frac{1}{3} \\ \frac{1}{2} & -\frac{1}{2} & 1 \\ \frac{\sqrt{2}}{2} & -\frac{\sqrt{2}}{2} & 0 \end{bmatrix} \begin{bmatrix} R \\ G \\ B \end{bmatrix} \quad (20)$$

$$H = \begin{cases} 0 & \text{if } v_1 = 0 \text{ and } v_2 = 0 \\ \tan^{-1} \left(\frac{v_2}{v_1} \right) + 2\pi & \text{if } v_1 \geq 0 \text{ and } v_2 < 0 \\ \tan^{-1} \left(\frac{v_2}{v_1} \right) & \text{if } v_1 \geq 0 \text{ and } v_2 \geq 0 \\ \tan^{-1} \left(\frac{v_2}{v_1} \right) + \pi & \text{if } v_1 < 0 \end{cases} \quad \& S = \sqrt{v_1^2 + v_2^2} \quad (21)$$

$$\begin{bmatrix} R' \\ G' \\ B' \end{bmatrix} = \begin{bmatrix} 1 & -\frac{1}{3} & \frac{1}{\sqrt{3}} \\ 1 & -\frac{1}{3} & -\frac{1}{\sqrt{3}} \\ 1 & \frac{2}{3} & 0 \end{bmatrix} \begin{bmatrix} I \\ v_1 \\ v_2 \end{bmatrix}$$

$$v_1 = S \cos(H) \text{ \& } v_2 = S \sin(H) \quad (22)$$

J. YIQ:

Another color encoding system called YIQ (Fig.2) has a straightforward transformation from RGB with no loss of information. The YIQ model was designed to take advantage of the human system's greater sensitivity to changes in luminance than to changes in hue or saturation [37]. In the case of the YIQ transformations, the component Y represents the luminance of a color, while its chrominance is denoted by I and Q signals [38]. Y is just the brightness of a panchromatic monochrome image. It combines the red, green, and blue signals in proportion to the human eye's sensitivity to them .The I signal is essentially red minus cyan, while Q is magenta minus green [39] express jointly hue and saturation . The relationship between **YIQ** and **RGB** is given as follows: [30; 37]:

$$\begin{bmatrix} Y \\ I \\ Q \end{bmatrix} = \begin{bmatrix} 0.299 & 0.587 & 0.144 \\ 0.596 & -0.274 & 0.322 \\ 0.211 & -0.523 & 0.312 \end{bmatrix} \begin{bmatrix} R \\ G \\ B \end{bmatrix} \quad (23)$$

The YIQ is transformed inversely to RGB space is given by [30; 37]:

$$\begin{bmatrix} R' \\ G' \\ B' \end{bmatrix} = \begin{bmatrix} 1 & 0.956 & 0.621 \\ 1 & -0.272 & -0.647 \\ 1 & -1.106 & 1.703 \end{bmatrix} \begin{bmatrix} Y \\ I \\ Q \end{bmatrix} \quad (24)$$

THE IHS-BASED PAN SHARPENING

The IHS pan sharpening technique is the oldest known data fusion method and one of the simplest. Fig.3 illustrates this technique for convenience. In this technique the following steps are performed:

1. The low resolution MS imagery is co-registered to the same area as the high resolution PAN imagery and resampled to the same resolution as the PAN imagery.
2. The three resampled bands of the MS imagery, which represent the RGB space, are transformed into IHS components.
3. The PAN imagery is histogram matched to the 'I' component. This is done in order to compensate for the spectral differences between the two images, which occurred due to different sensors or different acquisition dates and angles.

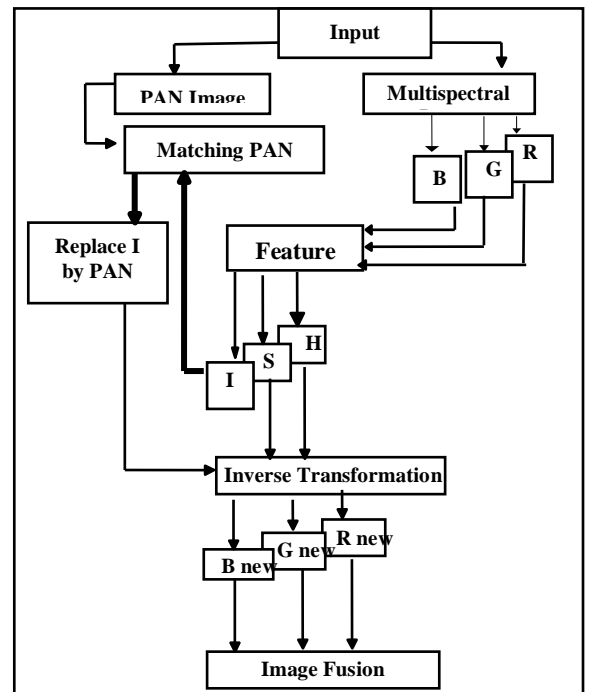


Fig. 3: IHS Image Fusion Process

4.

The intensity component of MS imagery is replaced by the histogram matched PAN imagery. The RGB of the new merged MS imagery is obtained by computing a reverse IHS to RGB transform.

To evaluate the ability of enhancing spatial details and preserving spectral information, some Indices including Standard Deviation (**SD**), Entropy(**En**), Correlation Coefficient (**CC**), Signal-to Noise Ratio (**SNR**), Normalization Root Mean Square Error (NRMSE) and Deviation Index (**DI**) of the image these measures given in_(Table 1), and the results are shown in Table 2. In the following sections, F_k, M_k are the measurements of each the brightness values of homogenous pixels of the result image and the original multispectral image of band k, \bar{M}_k and \bar{F}_k are the mean brightness values of both images and are of size $n * m$. BV is the brightness value of image data \bar{M}_k and \bar{F}_k .

Table 1: Indices Used to Assess Fusion Images.

Item	Equation
SD	$\sigma = \sqrt{\frac{\sum_{i=1}^n \sum_{j=1}^m (BV(n, m) - \mu)^2}{m \times n}}$
CC	$CC = \frac{\sum_i \sum_j (F_k(i, j) - \bar{F}_k)(M_k(i, j) - \bar{M}_k)}{\sqrt{\sum_i \sum_j (F_k(i, j) - \bar{F}_k)^2} \sqrt{\sum_i \sum_j (M_k(i, j) - \bar{M}_k)^2}}$
En	$En = - \sum_0^{I-1} P(i) \log_2 P(i)$
DI	$DI_k = \frac{1}{nm} \sum_i \sum_j \frac{ F_k(i, j) - M_k(i, j) }{M_k(i, j)}$
SNR	$SNR_k = \sqrt{\frac{\sum_i \sum_j (F_k(i, j))^2}{\sum_i \sum_j (F_k(i, j) - M_k(i, j))^2}}$

NRMSE	$NRMSE_k = \sqrt{\frac{1}{nm \times 255^2} \sum_i^n \sum_j^m (F_k(i,j) - M_k(i,j))^2}$
-------	----------------------------------------------------------------------------------------

RESULTS AND DISCUSSION

In order to validate the theoretical analysis, the performance of the methods discussed above was further evaluated by experimentation. Data sets used for this study were collected by the Indian IRS-1C PAN (0.50 - 0.75 μm) of the (5.8 m) resolution panchromatic band. Where the American Landsat (TM) the red (0.63 - 0.69 μm), green (0.52 - 0.60 μm) and blue (0.45 - 0.52 μm) bands of the 30 m resolution multispectral image were used in this experiment. Fig. 2 shows the IRS-1C PAN and multispectral TM images. The scenes covered the same area of the Mausoleums of the Chinese Tang – Dynasty in the PR China [40] was selected as test sit in this study. Since this study is involved in evaluation of the effect of the various spatial, radiometric and spectral resolution for image fusion, an area contains both manmade and natural features is essential to study these effects. Hence, this work is an attempt to study the quality of the images fused from different sensors with various characteristics. The size of the PAN is 600 * 525 pixels at 6 bits per pixel and the size of the original multispectral is 120 * 105 pixels at 8 bits per pixel, but this is upsampled to by Nearest neighbor was used to avoid spectral

contamination caused by interpolation. The pairs of images were geometrically registered to each other.

The Fig. 5 shows quantitative measures for the fused images for the various fusion methods. It can be seen that the standard deviation of the fused images remain constant for all methods except HSV, IHS6 and IHS7. Correlation values also remain practically constant, very near the maximum possible value except IHS6 and IHS7. The differences between the reference image and the fused images during SD & CC values are so small that they do not bear any real significance. This is due to the fact that, the Matching processing of the intensity of MS and PAN images by mean and standard division was done before the merging processing. But with the results of SNR, NRMSE and DI appear changing significantly. It can be observed that from the diagram of Fig. 5. That the fused image the results of NRMSE & DI show that the IHS5 and YIQ methods give best results with respect to the other methods followed by the HLS and IHS4 who get the same values presented the lowest value of the NRMSE & DI as well as the higher of the SNR. Hence, the spectral qualities of fused images by the IHS5 and YIQ methods are much better than the others. In contrast, It can also be noted that the IHS7, HS6, IHS2, IHS1 images produce highly NRMSE & DI values indicate that these methods deteriorate spectral information content for the reference image.

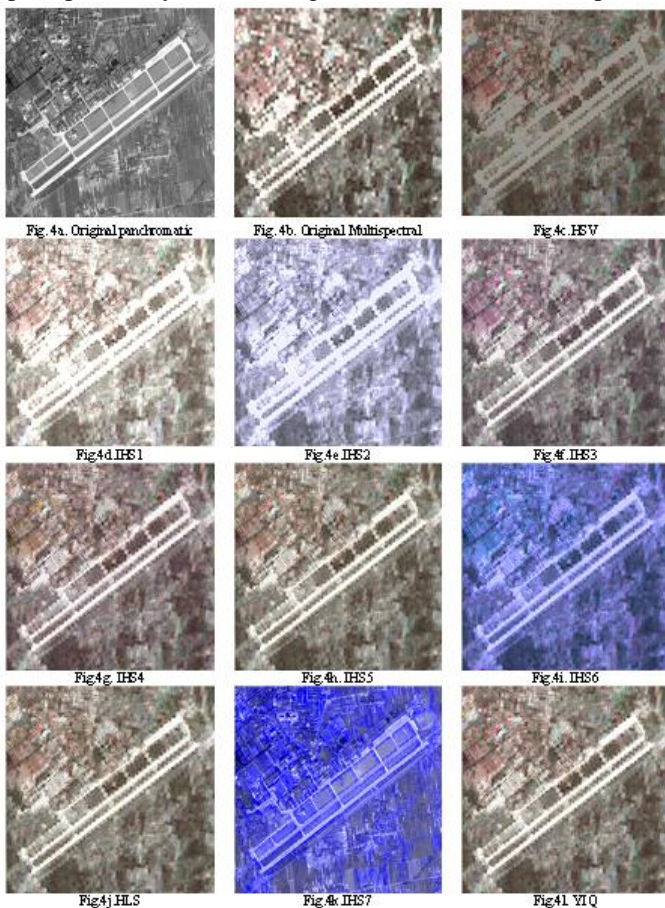


Fig 4: Original and Fused Images

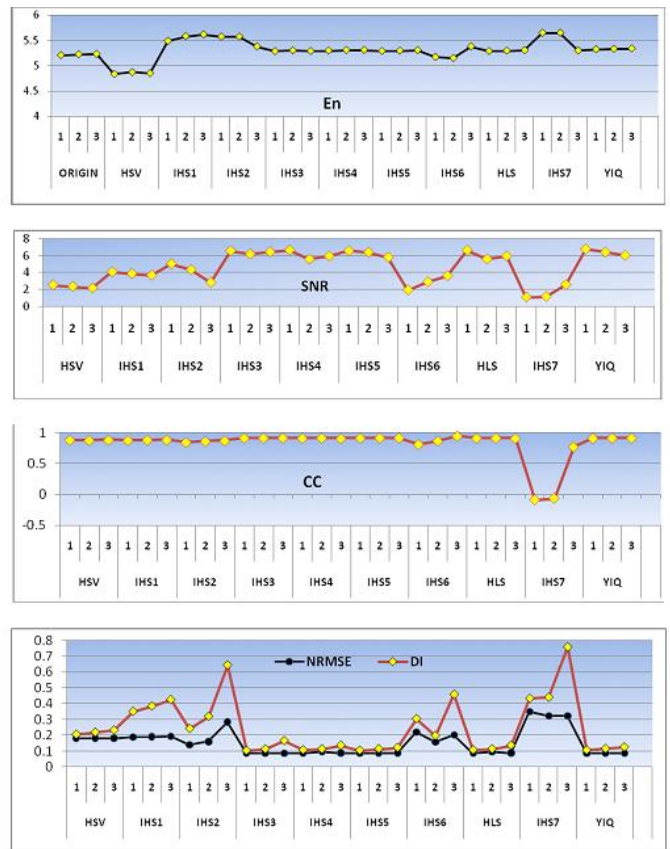


Fig. 5: Chart Representation of En, CC, SNR, NRMSE & DI of Fused Image

CONCLUSION

In this study the different formulas of transformation matrix IHS as well as the effectiveness of the based image fusion and the performance of these methods. The IHS transformations based fusion show different results corresponding to the formula of IHS transformation that is used. In a comparison to spatial effects, it can be seen that the results of the four formulas of IHS transformation methods by IHS5, YIQ, HLS and IHS4 display the same details. But the statistical analysis of the different formulas of IHS transformation based fusion show that the spectral effect by IHS5 and YIQ methods presented here are the best of the methods studied. The use of the formula of IHS transformation based fusion methods by IHS5 and YIQ could, therefore, be strongly recommended if the goal of the merging is to achieve the best representation of the spectral information of multispectral image and the spatial details of a high-resolution panchromatic image.

therefore, it is strongly recommended to use the **DI** because of its mathematical more precision as quality indicator.

AKNOWLEDGEMENTS

The Authors wish to thank Dr. Fatema Al-Kamissi at University of Ammran (Yemen) for her suggestion and comments. The authors would also like to thank the anonymous reviewers for their helpful comments and suggestions.

REFERENCES

- [1] Dou W., Chen Y., Li W., Daniel Z. Sui, 2007. "A General Framework for Component Substitution Image Fusion: An Implementation Using the Fast Image Fusion Method". Computers & Geosciences 33 (2007), pp. 219–228.
- [2] Zhang Y., 2004."Understanding Image Fusion". Photogrammetric Engineering & Remote Sensing, pp. 657-661.
- [3] Zhang J., 2010. "Multi-Source Remote Sensing Data Fusion: Status and Trends". International Journal of Image and Data Fusion, Vol. 1, No. 1, March 2010, pp.5–24.
- [4] Ehlers M., Klonus S., Johan P., strand Å and Rosso P., 2010. "Multi-Sensor Image Fusion For Pan Sharpening In Remote Sensing". International Journal of Image and Data Fusion, Vol. 1, No. 1, March 2010, pp.25–45.
- [5] Ehlers M., Klonus S., Johan P., strand Å and Rosso P., 2010. "Multi-Sensor Image Fusion For Pan Sharpening In Remote Sensing". International Journal of Image and Data Fusion, Vol. 1, No. 1, March 2010, pp.25–45.
- [6] Gangkofner U. G., P. S. Pradhan, and D. W. Holcomb, 2008. "Optimizing the High-Pass Filter Addition Technique for Image Fusion". Photogrammetric Engineering & Remote Sensing, Vol. 74, No. 9, pp. 1107–1118.
- [7] Yocky D. A., 1996."Multiresolution Wavelet Decomposition I Mage Merger Of Landsat Thematic Mapper And SPOT Panchromatic Data". Photogrammetric Engineering & Remote Sensing, Vol. 62, No. 9, September 1996, Pp. 1067-1074.
- [8] Dupont B. G., Girel J., Chassery J. M. and Pautou G., 1996."The Use of Multiresolution Analysis and Wavelets Transform for Merging SPOT Panchromatic and Multispectral Image Data". Photogrammetric Engineering & Remote Sensing, Vol. 62, No. 9, September 1996.
- [9] Steinnocher K., 1999. "Adaptive Fusion Of Multisource Raster Data Applying Filter Techniques". International Archives Of Photogrammetry and Remote Sensing, Vol. 32, Part 7-4-3 W6, pp.108-115
- [10] Zhang Y., 1999. "A New Merging Method and its Spectral and Spatial Effects". int. j. remote sensing, 1999, vol. 20, no. 10, pp. 2003- 2014.
- [11] Zhang Y., 2002. "Problems in the Fusion of Commercial High-Resolution Satellite Images As Well As Landsat 7 Images and Initial Solutions". International Archives of Photogrammetry and Remote Sensing (IAPRS), Volume 34, Part 4
- [12] Francis X.J. Canisius, Hugh Turrall, 2003. "Fusion Technique To Extract Detail Information From Moderate Resolution Data For Global Scale Image Map

Table 2: Quantitative Analysis of Original MS and Fused Image Results

Method	Band	SD	En	SNR	NRMSE	DI	CC
ORIGIN	Red	51.02	5.2093				
	Green	51.48	5.2263				
	Blue	51.98	5.2326				
HSV	Red	25.91	4.8379	2.529	0.182	0.205	0.881
	Green	26.822	4.8748	2.345	0.182	0.218	0.878
	Blue	27.165	4.8536	2.162	0.182	0.232	0.883
IHS1	Red	43.263	5.4889	4.068	0.189	0.35	0.878
	Green	45.636	5.5822	3.865	0.191	0.384	0.882
	Blue	46.326	5.6178	3.686	0.192	0.425	0.885
IHS2	Red	41.78	5.5736	5.038	0.138	0.242	0.846
	Green	41.78	5.5736	4.337	0.16	0.319	0.862
	Blue	44.314	5.3802	2.82	0.285	0.644	0.872
IHS3	Red	41.13	5.2877	6.577	0.088	0.103	0.915
	Green	42.32	5.3015	6.208	0.088	0.112	0.915
	Blue	41.446	5.2897	6.456	0.086	0.165	0.917
IHS4	Red	41.173	5.2992	6.658	0.087	0.107	0.913
	Green	42.205	5.3098	5.593	0.095	0.113	0.915
	Blue	42.889	5.3122	5.954	0.088	0.136	0.908
IHS5	Red	41.164	5.291	6.583	0.088	0.104	0.915
	Green	41.986	5.2984	6.4	0.086	0.114	0.917
	Blue	42.709	5.3074	5.811	0.088	0.122	0.917
IHS6	Red	35.664	5.172	1.921	0.221	0.304	0.811
	Green	33.867	5.1532	2.881	0.158	0.197	0.869
	Blue	47.433	5.3796	3.607	0.203	0.458	0.946
HLS	Red	41.173	5.291	6.657	0.087	0.107	0.913
	Green	42.206	5.2984	5.592	0.095	0.113	0.915
	Blue	42.889	5.3074	5.954	0.088	0.136	0.908
IHS7	Red	35.121	5.6481	1.063	0.35	0.433	-0.087
	Green	35.121	5.6481	1.143	0.325	0.44	-0.064
	Blue	37.78	5.3008	2.557	0.323	0.758	0.772
YIQ	Red	41.691	5.3244	6.791	0.086	0.106	0.912
	Green	42.893	5.3334	6.415	0.086	0.115	0.912
	Blue	43.359	5.3415	6.035	0.086	0.125	0.914

The results that can be reported here are: 1- some of the statistical evaluation methods do not bear any real significance such as **SD**, **En** and **CC**. 2- The analytical technique of **DI** is much more useful for measuring the spectral distortion than **NRMSE**. 3-Since the **NRMSE** gave the same results for some methods, but the **DI** gave the smallest different ratio between those methods,

- Production". Proceedings Of The 30th International Symposium On Remote Sensing Of Environment – Information For Risk Management And Sustainable Development – November 10-14, 2003 Honolulu, Hawaii.
- [13] Shi W., Changqing Z., Caiying Z., and Yang X., 2003. "Multi-Band Wavelet for Fusing SPOT Panchromatic and Multispectral Images". Photogrammetric Engineering & Remote Sensing Vol. 69, No. 5, May 2003, pp. 513–520.
- [14] Park J. H. and Kang M. G., 2004. "Spatially Adaptive Multi-Resolution Multispectral Image Fusion". INT. J. Remote Sensing, 10 December, 2004, Vol. 25, No. 23, pp. 5491–5508.
- [15] Vijayaraj V., O'Hara C. G. And Younan N. H., 2004. "Quality Analysis of Pansharpened Images". 0-7803-8742-2/04/ (C) 2004 IEEE, pp.85-88
- [16] ŠVab A. and Oštir K., 2006. "High-Resolution Image Fusion: Methods to Preserve Spectral and Spatial Resolution". Photogrammetric Engineering & Remote Sensing, Vol. 72, No. 5, May 2006, pp. 565–572.
- [17] Moeller M. S. And Blaschke T., 2006. "Urban Change Extraction from High Resolution Satellite Image". ISPRS Technical Commission Symposium, Vienna, 12 – 14 July pp. 151-156.
- [18] Das A. and Revathy K., 2007. "A Comparative Analysis of Image Fusion Techniques for Remote Sensed Images". Proceedings of the World Congress on Engineering 2007 Vol I, WCE 2007, July 2 – 4, London, U.K..
- [19] **CHEN S., SU H., ZHANG R., TIAN J. AND YANG L., 2008."THE TRADEOFF ANALYSIS FOR REMOTE SENSING IMAGE FUSION USING EXPANDED SPECTRAL ANGLE MAPPER". FULL RESEARCH PAPER, SENSORS 2008, 8, PP.520-528.**
- [20] Schetselaar E. M., 1998. "Fusion By The IHS Transform: Should We Use Cylindrical or Spherical Coordinates?," Int. J. Remote Sens., Vol. 19, No. 4, pp.759–765,
- [21] Schetselaar E. M. B., 2001. "On Preserving Spectral Balance in Image Fusion and Its Advantages For Geological Image Interpretation". Photogrammetric Engineering & Remote Sensing Vol. 67, NO. 8, August 2001, pp. 925-934.
- [22] Li S., Kwok J. T., Wang Y., 2002. "Using the Discrete Wavelet Frame Transform To Merge Landsat TM And SPOT Panchromatic Images". Information Fusion 3 (2002), pp.17–23.
- [23] Chibani Y. and A. Houacine, 2002. "The Joint Use of IHS Transform and Redundant Wavelet Decomposition for Fusing Multispectral and Panchromatic Images". int. j. remote sensing, 2002, vol. 23, no. 18, pp. 3821–3833.
- [24] Wang Z., Ziou D., Armenakis C., Li D., and Li Q. 2005. "A Comparative Analysis of Image Fusion Methods". IEEE Transactions on Geoscience and Remote Sensing, Vol. 43, No. 6, June 2005 pp.1391-1402.
- [25] Lu J., Zhang B., Gong Z., Li Z., Liu H., 2008. "The Remote-Sensing Image Fusion Based On GPU". The International Archives of the Photogrammetry, Remote Sensing and Spatial Information Sciences. Vol. XXXVII. Part B7. Beijing pp. 1233-1238.
- [26] Hui Y. X. and Cheng J. L., 2008. "Fusion Algorithm for Remote Sensing Images Based on Nonsampled Contourlet Transform". ACTA AUTOMATICA SINICA, Vol. 34, No. 3, pp. 274- 281.
- [27] Hui Y. X. and Cheng J. L., 2008. "Fusion Algorithm for Remote Sensing Images Based on Nonsampled Contourlet Transform". ACTA AUTOMATICA SINICA, Vol. 34, No. 3, pp. 274- 281.
- [28] Hsu S. L., Gau P.W., Wu I L., and Jeng J.H., 2009. "Region-Based Image Fusion with Artificial Neural Network". World Academy of Science, Engineering and Technology, 53, pp 156 -159.
- [29] Pohl C. and Van Genderen J. L. (1998), Multisensor Image Fusion In Remote Sensing: Concepts, Methods And Applications (Review Article), International Journal Of Remote Sensing, Vol. 19, No.5, pp. 823-854
- [30] Sangwine S. J., and R.E.N. Horne, 1989. "The Colour Image Processing Handbook". Chapman & Hall.
- [31] Nùñez J., Otazu X., Fors O., Prades A., Pal'a V., and Arbiol R., 1999. "Multiresolution -Based Image Fusion with Additive Wavelet Decomposition". IEEE Transactions On Geoscience and Remote Sensing, VOL. 37, NO. 3, pp. 1204- 1211
- [32] Garzelli A., Capobianco L. and Nencini F., 2008. "Fusion of multispectral and panchromatic images as an optimisation problem". Edited by: Sathaki T. "Image Fusion: Algorithms and Applications". Elsevier Ltd
- [33] Liao Y. C., Wang T. Y. and Zheng W. T., 1998. "Quality Analysis Of Synthesized High Resolution Multispectral Imagery".(URL:http://www.Gisdevelopment.Net/AAR/S/ACRS_1998/Digital_Image_Processing (Last date accessed: 8 Feb 2008).
- [34] Kruse F.A., Raines G.L, 1984. "A Technique for Enhancing Digital Colour Images By Contrast Stretching In Munsell Colour Space". Proceedings Of The International Symposium On Remote Sensing Of Environment, 3RD Thematic Conference, Environmental Research Institute Of Michigan, Colorado Springs, Colorado, pp. 755-773
- [35] Niblack W, 1986."An Introduction to Digital Image Processing". Prentice Hall International.
- [36] Siddiqui Y., 2003. "The Modified IHS Method for Fusing Satellite Imagery". ASPRS Annual Conference Proceedings May 2003, ANCHORAGE, Alaska.
- [37] Gonzalez, R.C. And Woods, R.E., 2001. "Digital Image Processing ". Prentice Hall.
- [38] Kumar A. S., B. Kartikeyan and K. L. Majumdar, 2000. "Band Sharpening of IRS- Multispectral Imagery By Cubic Spline Wavelets". int. j. remote sensing, 2000, vol. 21, no. 3, pp.581–594.
- [39] Russ J. C., 1998. "The Image Processing Handbook", Third Edition, CRC Press, CRC Press LLC.
- [40] Böhler W. and G. Heinz, 1998. "Integration of high Resolution Satellite Images into Archaeological Documentation". Proceeding International Archives of Photogrammetry and Remote Sensing, Commission V, Working Group V/5, CIPA International Symposium, Published by the Swedish Society for Photogrammetry and Remote Sensing, Goteborg. (URL:[HTTP://WWW.I3MAINZ.FHMAINZ.DE/PUBLICAT/CIP_A-98/SAT-IM.HTML](http://www.i3mainz.fhmainz.de/publicat/cip_a-98/sat-im.html) (LAST DATE ACCESSED: 28 OCT. 2000).

AUTHORS

Mrs. Firouz Abdullah Al-Wassai.Received the B.Sc. degree in, Physics from University of Sana'a, Yemen, Sana'a, in 1993. The M.Sc.degree in, Physics from Bagdad University , Iraqe, in 2003, Research student.Ph.D in the department of computer science (S.R.T.M.U), India, Nanded.

Dr. N.V. Kalyankar.B.Sc.Maths, Physics, Chemistry, Marathwada University, Aurangabad, India, 1978. M Sc.Nuclear Physics, Marathwada University, Aurangabad, India, 1980.Diploma in Higher Education, Shivaji University, Kolhapur, India, 1984.Ph.D. in Physics, Dr.B.A.M.University, Aurangabad, India, 1995.Principal Yeshwant Mahavidyalaya College, Membership of Academic Bodies,Chairman,

Information Technology Society State Level Organization, Life Member of Indian Laser Association, Member Indian Institute of Public Administration, New Delhi, Member Chinmay Education Society, Nanded.He has one publication book, seven journals papers, two seminars Papers and three conferences papers.

Dr. Ali A. Al-Zuky. B.Sc Physics Mustansiriyah University, Baghdad , Iraq, 1990. M Sc. In1993 and Ph. D. in1998 from University of Baghdad, Iraq. He was supervision for 40 post-graduate students (MSc. & Ph.D.) in different fields (physics, computers and Computer Engineering and Medical Physics). He has More than 60 scientific papers published in scientific journals in several scientific conferences.