



ISSN (Print) : 2320 – 3765  
ISSN (Online): 2278 – 8875

## International Journal of Advanced Research in Electrical, Electronics and Instrumentation Engineering

Vol. 6, Issue 12, December 2017

# Enhancing Optical Network Capacity using DWDM System and Dispersion Compensating Technique

Babita Singh\*, Shweta Verma

Department of Electronics & Communication Engineering, Rajarshi Rananjay Singh Institute of Management & Technology, Amethi, Uttar Pradesh, India

**Abstract:** From every technical and economic read, the flexibility to produce in all probability unlimited transmission capability is that the foremost blatant advantage of dense wavelength division multiplexing technology. This investment in fiber plant can't solely be preserved, however optimized by an element of a minimum of thirty two. In order to reduce dispersion in optical networks various dispersion compensating techniques are used. Dispersion can be controlled by selecting proper modulation format for the input data. In this paper capability of optical network would be incremented utilizing dense wavelength division multiplexing system by the assistance of dispersion compensating technique. The performance of non-return to zero modulated pulse is evaluated for dense wave division multiplexing systems having symmetrical dispersion compensating technique. The pulse width full width at half maximum of non-return to zero modulated Gaussian pulse was varied from 5 ps to 15 ps to evaluate the performance at 80 GB/s. This experiment shows that dense wavelength division multiplexing systems are most efficient because bit error rate is very less as compared to the conventional dense wavelength division multiplexing systems used previously.

**Keywords:** Optical laser; Multiplexer; Demultiplexer; Dense wavelength division multiplexing; Non return to zero; Modulated gaussian pulse; Dispersion compensating fiber; Single mode fiber; Wave division multiplexing

### I. INTRODUCTION

Wave Division Multiplexing (WDM) began within the late Nineteen Eighties mistreatment the two wide spaced wavelengths within the 1310 nm and 1550 nm (or 850 nm and 1310 nm) regions, typically known as broadband WDM. Wave Division Multiplexing is a technology which multiplexes a number of optical carrier signals onto a single optical fiber by using different wavelengths of laser light. Figure 1 shows associate degree example of this easy kind of WDM. These systems not only enable bidirectional communications over a single strand of optical fiber but also increase the capacity. The WDM system having the channel spacing of 200 GHz to 100GHz, called Coarse or Conventional WDM system were developed firstly and later the channel spacing is reduced about 50 GHz, called Dense WDM system were developed [1]. A lot of research is going on to further reduce the channel spacing in order to increase the channel capacity and reducing the requirement of bandwidth [2,3]. There are some basic problems when transmitting the signal via WDM system is as follows:

- a. As the transmission distance increases, the quality of signal degrades after travelling certain distance depending on the channel spacing and optical fiber characteristics.
- b. Transmission bit rate increases, dispersion problem increases.

There is a need of Dispersion Management for higher bit rate WDM systems. Microchip compensation, mid span spectral inversion, optical phase conjugation, initial pre chip, different delay methods and dispersion compensating fibers are some various techniques which are used to compensate the losses occurring due to dispersion while transmission. In this paper dispersion compensating fibers (DCF) are used to compensate the losses. The negative dispersion co-efficient of dispersion compensation fiber when connected to the positive dispersion coefficient of standard single fibers the overall dispersion is reduced. This is the basic concepts behind the design of dispersion management for loss free transmission of optical signal to a longer distance.

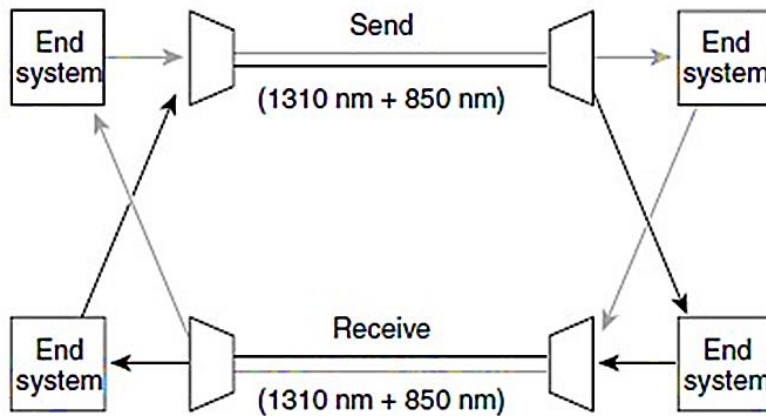


Figure 1: Schematic diagram of WDM with 2 channels.

Dense wavelength division multiplexing (DWDM) systems had evolved to the purpose wherever they were capable of sixty four to a hundred and sixty parallel channels, densely packed at fifty or perhaps twenty five gigacycle per second intervals.

## II. DWDM SYSTEM FUNCTIONS

At its core, DWDM involves a tiny low variety of physical- layer functions. These are delineated in Figure 2 that shows DWDM schematic for thirty two channels. Every optical channel occupies its own wavelength.

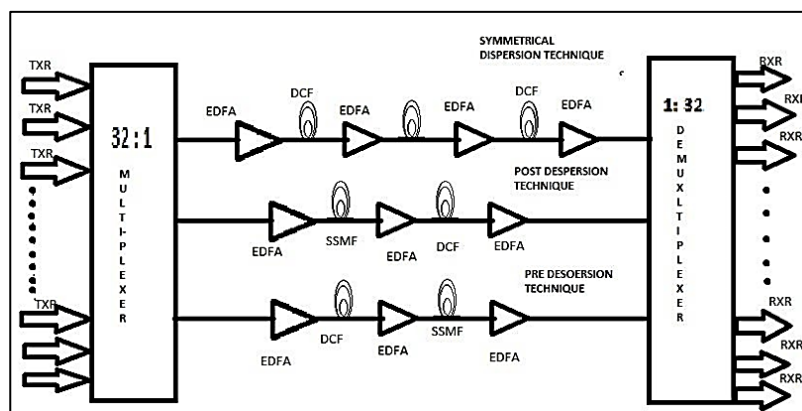


Figure 2: Block diagram of 32 channel DWDM system using dispersion compensating fiber techniques (pre, post and symmetrical).

The system performs the following main functions:

- a. Generating the signal: The source, a solid-state optical device, should give stable ethical motive a particular, slender information measure that carries the digital knowledge, modulated as an analog signal.
- b. Combining the signals: Modern DWDM systems use multiplexers to mix the signals. There's some inherent loss related to multiplexing and demultiplexing. This loss relies upon the quantity of channels however are often alleviated with optical amplifiers, that boost all the wavelengths right away while not electrical conversion.
- c. Sending the signals: The effects of interference and optical signal degradation or loss should be reckoned with in fiber optic transmission. These effects are reduced by dominant variables like channel spacings, wavelength tolerance, and optical maser power levels. Over a transmission link, the signal might have to be optically amplified.
- d. Separating the received signals: At the receiving finish, the multiplexed signals should be separated out. though this task would seem to be merely the other of mixing the signals, it's truly a lot of technically tough.
- e. Receiving the signals: The demultiplexed signal is received by a photo detector.

### **III. SINGLE MODE FIBER DESIGNS**

Designs of single-mode fiber(SMF) have evolved over many decades. The 3 principle sorts and their ITU-T specifications are:

- a. Non-dispersion-shifted fiber (NDSF)
- b. Dispersion-shifted fiber (DSF)
- c. Non-zero dispersion-shifted fiber (NRZ-DSF)

The major kinds of single-mode fibers and their application are summarized as follows (Table 1):

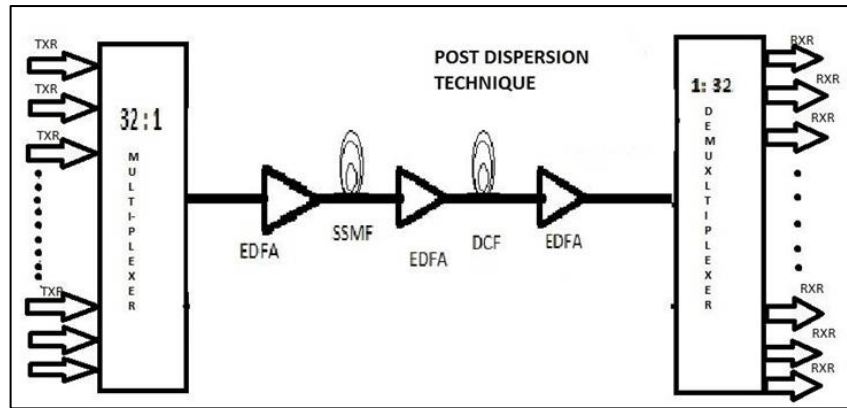
- Non dispersion shifted fiber (Standard SM fiber): Accounts for larger than ninety 5% of deployed plant; appropriate for TDM (Single channel) use within the 1310 nm region or DWDM use within the 1550 nm region (with dispersion compensators). This kind of fiber can even support 10 Gigabit local area network standard at distances over three hundred meters.
- Dispersion shifted fiber: Suitable for TDM use within the 1550 nm region, However unsuitable for DWDM during this region.
- Non zero dispersion shifted fiber: Good for each TDM and DWDM use within the 1550 nm region.
- Newer generation fibers: Includes sorts that enable the energy to travel any into the protective covering, making a tiny low quantity of dispersion to counter four wave intermixture, and dispersion-flattened fibers, Which allow use of wavelengths farther from the optimum wavelength while not pulse spreading.

S.No	Window Range	Name of fibers	Applications
1	1310 nm	Non dispersion shifted	Appropriate for TDM (single channel)
2	1550 nm	Non dispersion shifted (With dispersion)	Appropriate for DWDM
3	1550 nm	Dispersion shifted fiber	Suitable for TDM but unsuitable for DWDM
4	1550 nm	Non zero dispersion shifted fiber	Good for each TDM and DWDM use

**Table 1: Different optical fibers with their window sizes.**

#### IV. SYSTEM DESCRIPTION

All the simulations are done using opti system 7.0 software. The thirty-two channel DWDM system i.e., Dense Wavelength Division Multiplexing is designed using post dispersion technique. The block diagram is shown in the Figure 3.



**Figure 3: Channel DWDM system with post dispersion technique.**

The data source used is binary pseudorandom data at 80 Gb/s. NRZ pulse generator along with Gaussian pulse generator is used to generate the NRZ pulses which modulates the optical laser signal with the help of Mech-Zehnder Modulator [4]. In this DWDM Thirty-two channel system, there are 32 laser sources generating optical signals of different wavelengths. Wavelengths are selected depending on the channel spacing between the adjacent channels during transmission through single mode fiber (Table 2).

Channel No.	Wavelength (nm)	Si (dBm)	Noise Power (dBm)	OSNR (dB)
1 <sup>st</sup>	1550	-13.18345	-49.975978	36.792527
2 <sup>nd</sup>	1548.3989	-13.258156	49.807033	36.548877
3 <sup>rd</sup>	1546.8011	-13.183413	-49.880418	36.697006
4 <sup>th</sup>	1545.2065	-13.26168	-49.763963	36.502284
5 <sup>th</sup>	1543.6153	-13.184931	-49.903632	36.718701
6 <sup>th</sup>	1542.0273	-13.185488	-49.893318	36.707829
7 <sup>th</sup>	1540.4426	-13.185169	49.899021	36.713852
8 <sup>th</sup>	1538.8612	-13.260963	-49.764035	36.503073
9 <sup>th</sup>	1537.283	-13.256038	-49.87667	36.620631

10 <sup>th</sup>	1535.708	-13.185441	-50.121322	36.935881
11 <sup>th</sup>	1534.1363	-13.259833	-49.835021	36.575187
12 <sup>th</sup>	1532.5678	-13.255993	-49.858559	36.602566
13 <sup>th</sup>	1531.0024	-13.186575	49.877125	36.69055
14 <sup>th</sup>	1529.4403	-13.183246	-49.90899	36.725144
15 <sup>th</sup>	1527.8813	-13.251668	-50.04321	36.791542
16 <sup>th</sup>	1526.3256	-13.25436	49.909118	36.654757
17 <sup>th</sup>	1524.773	-13.251924	49.81664	36.564716
18 <sup>th</sup>	1523.2235	-13.185147	49.768304	36.583157
19 <sup>th</sup>	1521.6772	-13.18484	49.909174	36.724334
20 <sup>th</sup>	1520.134	-13.250825	-50.047657	36.796832
21 <sup>st</sup>	1518.594	-13.254356	49.873705	36.619348
22 <sup>nd</sup>	1517.0571	-13.251776	-50.050864	36.799089
23 <sup>rd</sup>	1515.5233	-13.25358	-50.04594	36.79236
24 <sup>th</sup>	1513.9925	-13.183462	49.895665	36.712203
25 <sup>th</sup>	1512.4649	-13.185089	49.877421	36.692331
26 <sup>th</sup>	1510.9404	-13.25366	-50.056109	36.802449
27 <sup>th</sup>	1509.4189	-13.255577	49.898328	36.642751
28 <sup>th</sup>	1507.9005	-13.25422	49.88112	36.627
29 <sup>th</sup>	1506.3851	-13.255127	49.905913	36.650787
30 <sup>th</sup>	1504.8728	-13.256879	49.826946	36.570067
31 <sup>st</sup>	1503.3635	-13.184772	49.91087	36.726097
32 <sup>nd</sup>	1501.8572	-13.248374	-50.132956	36.884582

**Table 2: Channel DWDM system with different wave lengths used.**

The power level of input signals is adjusted between 0 dBm to 10 dBm depending on DWDM system. Multiplexer (MUX) combine the 32 input channels and transmit them over a single channel. The transmission channel contains one dispersion compensating fiber (DCF) of length 10 km with negative dispersion co-efficient of 85 ps/nm/km and two Single mode Fiber of 25 km each with 17 ps/nm/km dispersion coefficient. The number of span is taken to be 2. So the total link length is equal to the 120 km in case of post compensation [5]. EDFA is used to amplify the signal. The EDFAs are of gain control type with noise figure of 6 dB and their gain is adjusted between 5 dB to 10 dB [6-8]. At receiving side, 1:32 demultiplexer (DEMUX) is used to split the signals to 32 different channels. The output of demultiplexer is detected by PIN photo detector and passed through Bessel filter. The output is observed on bit error rate (BER) analyzer (Figures 4-9).

## V. RESULTS AND SIMULATION

### A. Simulation Diagram

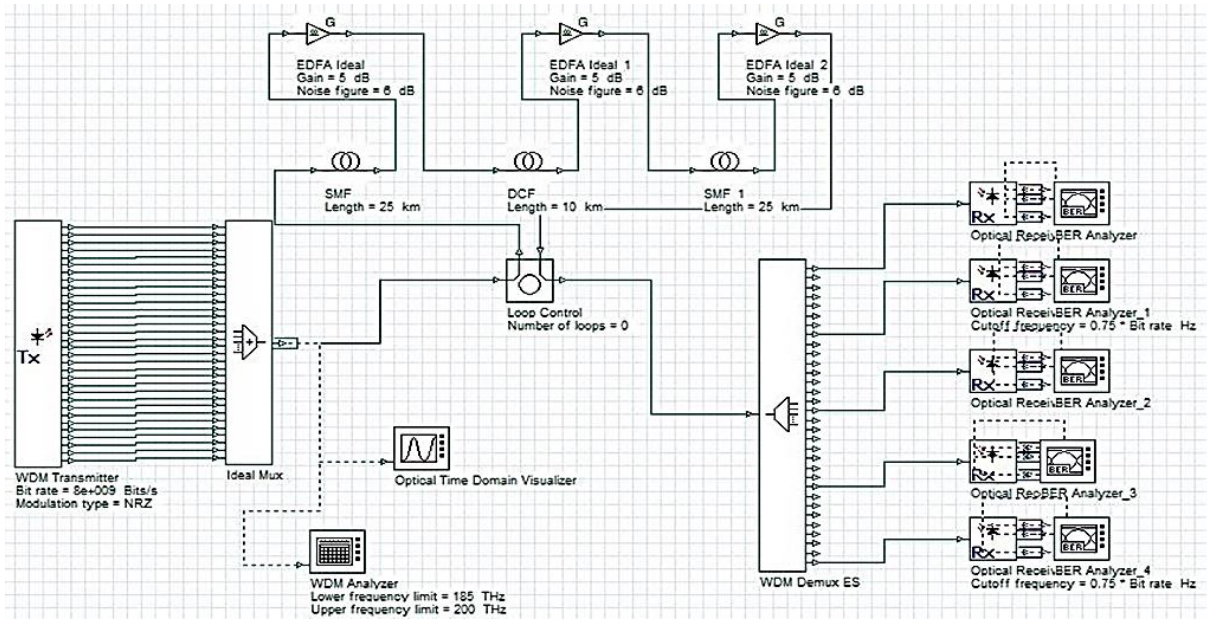


Figure 4: Dispersion compensated circuit design of DWDM on optiwave software.

## B. Different BER Analysis

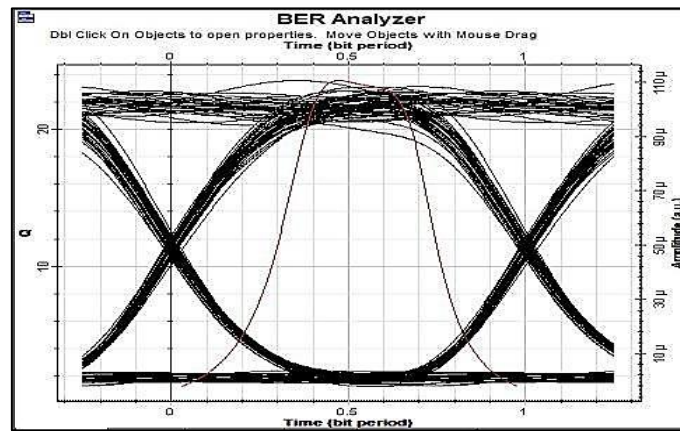


Figure 5: Eye pattern obtained at 193.41449 THz

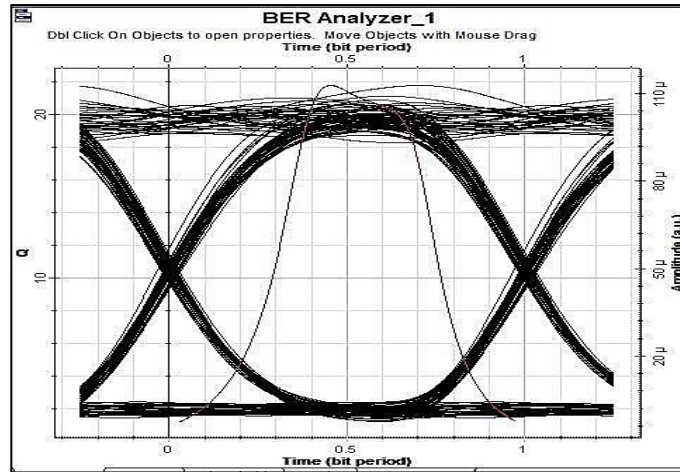


Figure 6: Eye pattern obtained at 196.41449 THz

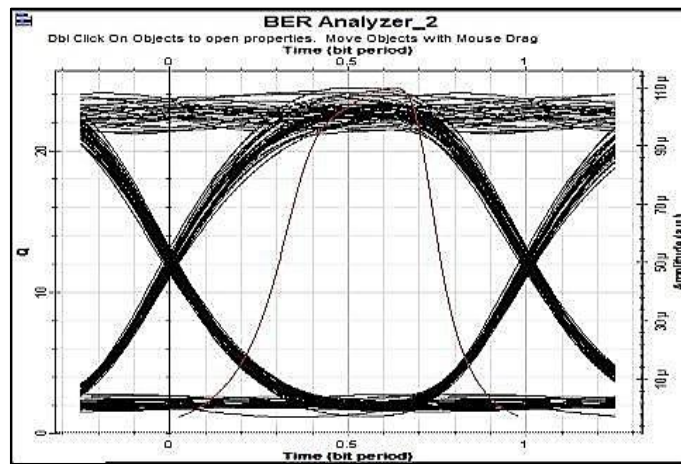


Figure 7: Eye pattern obtained at 194.81449 THz.

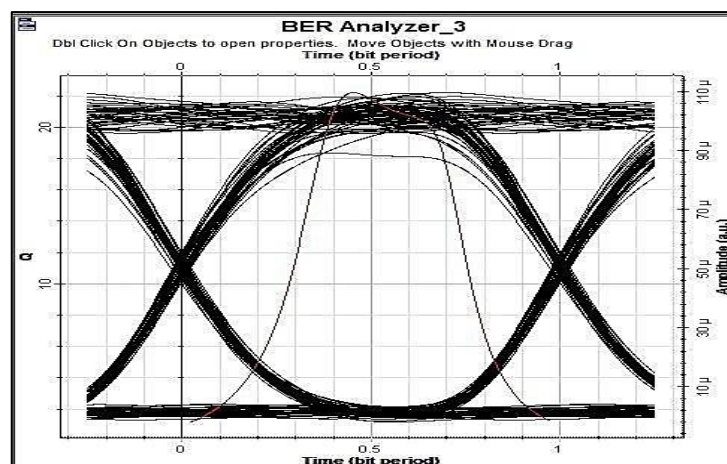


Figure 8: Eye pattern obtained at 198.01449 THz.

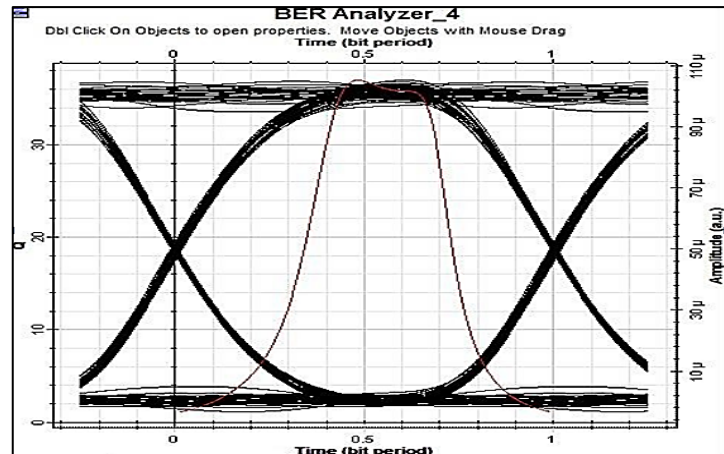


Figure 9: Eye pattern obtained at 199.61449 THz.

## V. CONCLUSION

For Dense wavelength division multiplexing the spacing between adjacent channels is reduced to 50 GHz. At receiver all the channels are demodulated and the results are shown for 193.41449 THz, 194.81449 THz, 196.41449 THz, 198.01449 THz and 199.61449 THz channels. The minimum BER is obtained for the pulse width of 5ps and 7.5ps at 199.61449 THz channel and it increases rapidly as pulse width increases to 10ps or beyond. Results shows that the performance of post dispersion compensation is better than pre and symmetrical compensation for 50 GHz channel spacing dense wavelength division multiplexing.

## V. REFERENCES

- [1] Kaler RS; Ajay KS; Kamal TS; Comparison of Pre-, Post and Symmetrical- Dispersion Compensation Schemes for 10 Gb/s NRZ Links Using Standard and Dispersion Compensated Fibers. International Journal of Optics Communication 2002; 209: 107-123.
- [2] Hayee MI; IEEE Pre and Post-Compensation of Dispersion and linearities in 10- Gb/s WDM. IEEE Photonics technology letters 1997; 9.
- [3] Sang YK; Sang HL; Soo L; Jae SL; Upgrading WDM Networks Using Ultradense WDM Channel Groups. IEEE Photonics Technology Letters 2004; 16: 8.
- [4] Cartledge JC; Debregeans H; Rolland C; Dispersion compensation for 10 Gb/s lightwave systems based on a semiconductor Mach-Zehnder modulator. IEEE Photonics Technology Letters 1995; 7: 224–226.
- [5] Nuyts RJ; Park YK; Gallion P; Performance improvement of 10 Gb/s standard fiber transmission systems by using the SPM effect in the dispersion compensated fiber. IEEE Photon Technology Letters 1993; 8: 1406-1408.
- [6] Agrawal GP; Fibre-Optic Communication Systems, 2nd edition, John Wiley & Sons, Inc ,NewYork 1997.
- [7] Manjit S; Ajay KS; Kaler RS; Investigations on order and width of RZ super Gaussian pulse in pre, post- and symmetrical-dispersion compensated 10Gb/s optical communication system using standard and dispersion compensating fibers. International Journal of Optics. 2010; 609-616.
- [8] Ludwig R; Pieper HG; Weber DB; Petermann KF; Mattheus A; Unrepeated 40- Gbit/s RZ single channel transmission over 150 km of standard fiber at 1.55  $\mu\text{m}$ . Proc Optic Fiber Commun 1997; 245–246.